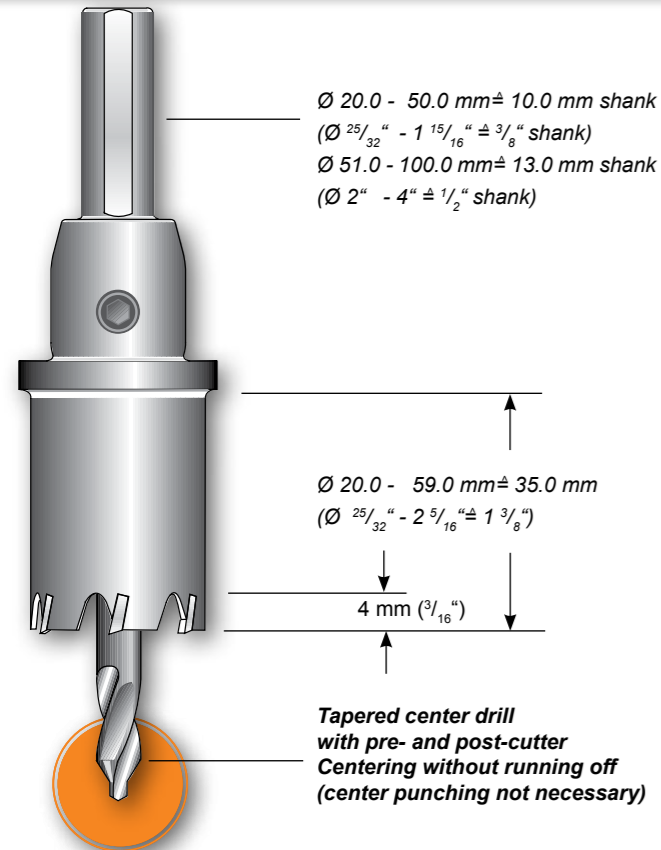




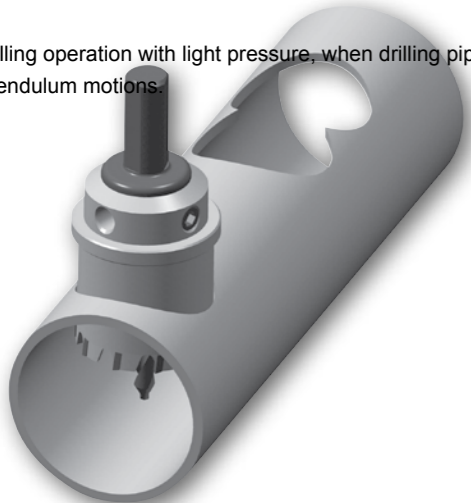
ALFRA TCT-Hole Saws – Long Type

Made in Germany by ALFRA



- Features:**
- Especially developed for the use on pipes, vaulted materials, for unalloyed and alloyed steels, nonferrous metals, plastics as well as glass fibre reinforced plastic.
 - For material thickness up to 4 mm (3/16"), 2 mm (1/16") stainless steel.
 - For use on hand drilling machines, recommended up to max. \varnothing 40 mm (1 9/16") or stationary machines.

- Tips:**
- Start drilling operation with light pressure, when drilling pipes. Avoid pendulum motions.



Special tools for special applications on request!



ALFRA TCT-Hole Saws – Long Type

Made in Germany by ALFRA

\varnothing mm	\varnothing Inch	No. of teeth	Prod.-No. mm	Prod.-No. Inch
\varnothing 20.0		5	0700200	
\varnothing 20.4				
\varnothing 21.0	13/16"	5	0700210	0710210
\varnothing 22.0		5	0700220	
\varnothing 22.5				
\varnothing 23.0	7/8"	5	0700230	0710230
\varnothing 24.0	15/16"	6	0700240	0710240
\varnothing 25.0		6	0700250	
\varnothing 26.0	1"	6	0700260	0710260
\varnothing 27.0	1-1/16"	6	0700270	0710270
\varnothing 28.0		6	0700280	
\varnothing 28.3				
\varnothing 29.0	1-1/8"	6	0700290	0710290
\varnothing 30.0	1-3/16"	6	0700300	0710300
\varnothing 31.0		8	0700310	
\varnothing 32.0	1-1/4"	8	0700320	0710320
\varnothing 33.0		8	0700330	
\varnothing 34.0	1-5/16"	8	0700340	0710340
\varnothing 35.0	1-3/8"	8	0700350	0710350
\varnothing 36.0		8	0700360	
\varnothing 37.0	1-7/16"	8	0700370	0710370
\varnothing 38.0		8	0700380	
\varnothing 39.0	1-1/2"	8	0700390	0710390
\varnothing 40.0	1-9/16"	10	0700400	0710400
\varnothing 41.0		10	0700410	
\varnothing 42.0	1-5/8"	10	0700420	0710420
\varnothing 43.0	1-11/16"	10	0700430	0710430
\varnothing 44.0		10	0700440	
\varnothing 45.0	1-3/4"	10	0700450	0710450

\varnothing mm	\varnothing Inch	No. of teeth	Prod.-No. mm	Prod.-No. Inch
\varnothing 46.0		10	0700460	
\varnothing 47.0	1-13/16"	10	0700470	0710470
\varnothing 48.0	1-7/8"	10	0700480	0710480
\varnothing 49.0		10	0700490	
\varnothing 50.0	1-15/16"	12	0700500	0710500
\varnothing 51.0	2"	12	0700510	0710510
\varnothing 52.0		12	0700520	
\varnothing 53.0	2-1/16"	12	0700530	0710530
\varnothing 54.0	2-1/8"	12	0700540	0710540
\varnothing 55.0		12	0700550	
\varnothing 56.0	2-3/16"	12	0700560	0710560
\varnothing 57.0	2-1/4"	12	0700570	0710570
\varnothing 58.0		12	0700580	
\varnothing 59.0	2-5/16"	12	0700590	0710590
\varnothing 60.0	2-3/8"	14	0700600	0710600
\varnothing 61.0		14	0700610	
\varnothing 62.0	2-7/16"	14	0700620	0710620
\varnothing 63.0		14	0700630	
\varnothing 64.0	2-1/2"	14	0700640	0710640
\varnothing 65.0		14	0700650	
\varnothing 66.0	2-9/16"	14	0700660	0710660
\varnothing 67.0	2-5/8"	16	0700670	0710670
\varnothing 68.0		16	0700680	
\varnothing 69.0	2-11/16"	16	0700690	0710690
\varnothing 70.0	2-3/4"	16	0700700	0710700
\varnothing 71.0		16	0700710	
\varnothing 72.0	2-13/16"	16	0700720	0710720
\varnothing 73.0	2-7/8"	16	0700730	0710730
\varnothing 74.0	2-15/16"	16	0700740	0710740

\varnothing mm	\varnothing Inch	No. of teeth	Prod.-No. mm	Prod.-No. Inch
\varnothing 75.0		16	0700750	
\varnothing 76.0	3"	18	0700760	0710760
\varnothing 77.0		18	0700770	
\varnothing 78.0	3-1/16"	18	0700780	0710780
\varnothing 79.0	3-1/8"	18	0700790	0710790
\varnothing 80.0		18	0700800	
\varnothing 81.0	3-3/16"	18	0700810	0710810
\varnothing 82.0		18	0700820	

HSS-Spare Drill

with tapered center tip

- von \varnothing 20.0 - 59.0 \varnothing 6x80 mm 0702680
- von \varnothing 60.0 - 100.0 \varnothing 8x100 mm 0702800

MT Arbors

- MT-2 (ab \varnothing 31.0) 0734002
- MT-3 (ab \varnothing 31.0) 0734003

SDS Arbor

Highly recommendet accessories – coolant and lubricant!

ALFRA BIO 2000

is a fully synthetic cutting oil, developed for high-quality cutting, threading and drilling of metals of any degree of hardness, ferrous metal, steel alloys, stainless steel, copper, aluminium and their alloys.

ALFRA BIO 2000 is free of hydrocarbon, sulphur and chlorine.

Aerosol can 405 ml 21010

ALFRA 3000

Universal metal working oil free of chlorine. High-performance drilling, broaching and cutting fluid, petroleum-based, for moderately difficult and difficult to cut steels. With a high proportion of active ingredients to ensure optimum cutting performance and significantly reduced tool wear. It meets occupational health

and safety requirements. **We recommend to use ALFRA 3000 especially for the drilling and threading of high-alloy steel and chrome nickel steel.**

Aerosol can 520 ml 21030